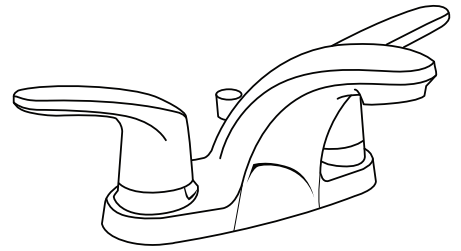


INSTALLATION INSTRUCTIONS

COLONY® PRO CENTERSET LAVATORY FAUCET

7075.200
7075.202
7075.205



Certified to comply with ANSI A112.18.1M

Thank you for selecting American Standard... the benchmark of fine quality for over 100 years.

To ensure that your installation proceeds smoothly-please read these instructions carefully before you begin.

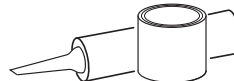
RECOMMENDED TOOLS



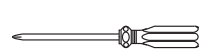
Adjustable Wrench



Channel Locks



Plumbers' Putty or Caulking



Phillips Screwdriver

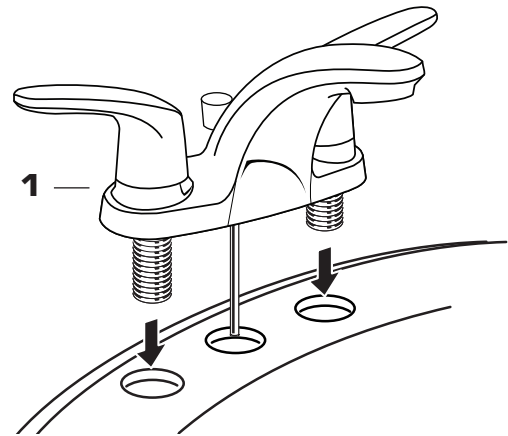


Hex Wrench (2 mm)

1 INSTALL FAUCET

CAUTION Turn off hot and cold water supplies before beginning.

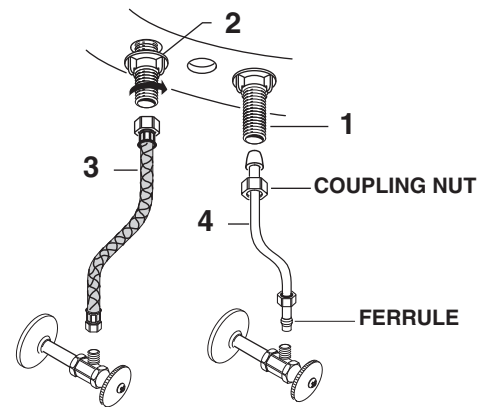
- Insert FAUCET (1) and POP-UP CABLE (2) through mounting holes of Sink or Mounting Surface.



2 SECURE FAUCET AND MAKE WATER SUPPLY CONNECTIONS

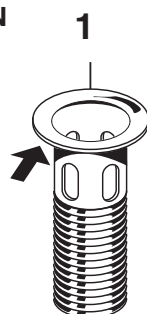
- Secure FAUCET (1) with ATTACHMENT NUTS (2) supplied. (HAND TIGHTEN).
- Connect water supply to FAUCET (1) with 1/2" IPS FLEXIBLE SUPPLIES (3) or 3/8" O.D. BULL-NOSE RISERS (4). Use adjustable wrench to tighten connections. Do not over tighten. Be careful not to kink copper supply when bending. Use tubing cutter to cut to proper length.

NOTE: FLEXIBLE SUPPLIES HAVE TO BE PURCHASED SEPARATELY



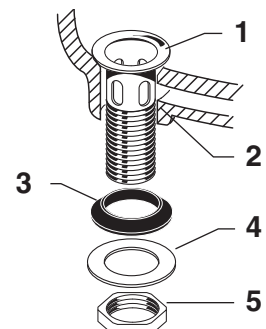
3 INSTALL POP-UP DRAIN

- Apply a bead of putty to underside of FLANGE (1).



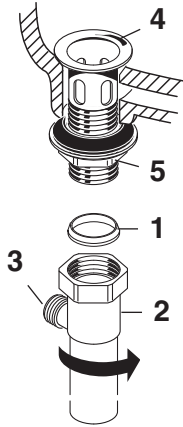
3a

- Drop FLANGE (1) into LAVATORY DRAIN (2). From below assemble RUBBER GASKET (3), METAL WASHER (4) and LOCK NUT (5). Do not tighten.

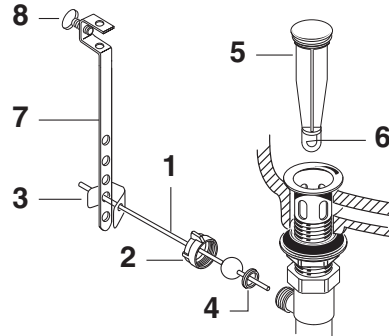


3b

- Place SEAL (1) with small end facing up into TAILPIECE (2) and tighten against DRAIN BODY (4). PIVOT ROD (3) opening in TAILPIECE (2) should face the rear of the lavatory. Tighten LOCK NUT (5) with channel locks. Do not over tighten.

**3c**

- Assemble PIVOT ROD (1), PIVOT NUT (2), CLIP (3) and SEAL (4) as shown. Hand tighten PIVOT NUT (2) Drop STOPPER (5) into drain. (For vandal proof drain rotate stopper so PIVOT ROD (1) goes through EYE (6) of STOPPER (5). Make connection to "P" TRAP.)
- Remove one end of CLIP (3) from PIVOT ROD (1) by squeezing ends together while sliding.
- Insert PIVOT ROD (1) into second or third hole in EXTENSION (7) and reassemble CLIP (3). (EXTENSION (7) may need to be bent).
- Adjust STOPPER (5) height by repositioning EXTENSION (7) and tightening THUMBSCREW (8).

**3****TEST INSTALLED FAUCET**

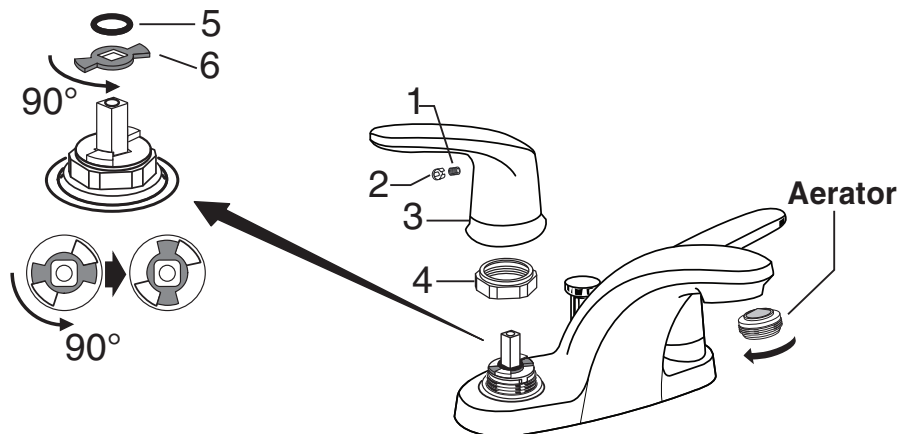
- Remove AERATOR. With handles in OFF position, turn on water supplies and check all connections for leaks.
- Operate both handles to flush water lines thoroughly. Operate LIFT ROD and check DRAIN for leaks. Replace AERATOR.

4**SERVICE****If Faucet Drips Proceed As Follows:**

- Turn HANDLES in OFF position.
- If spout drips, operate HANDLES several times from OFF to ON position. Do not forc HANDLES they turn only 90°.
- AERATOR may accumulate dirt causing distorted and reduced water flow. Remove AERATOR and rinse clean.

To Change Handle Position:

- Remove INDEX BUTTON (1), HANDLE SCREW (2) and HANDLE (3).
- Remove ADAPTER (4) & RETAINING O-RING (5).
- Lift and turn STOP WASHER (6) 90°.
- Replace RETAINING O-RING (5) & ADAPTER (4).
- Replace HANDLE (3).

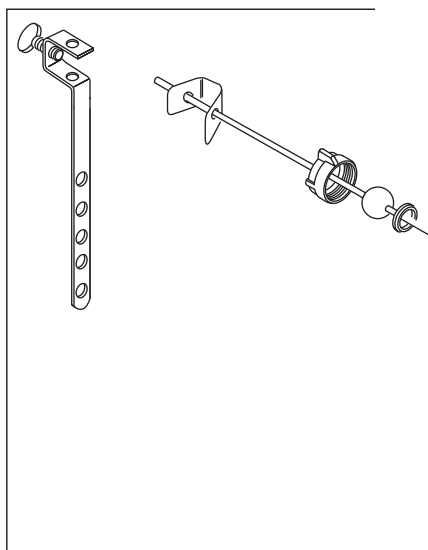
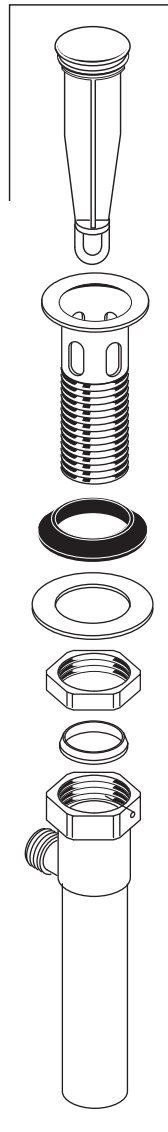
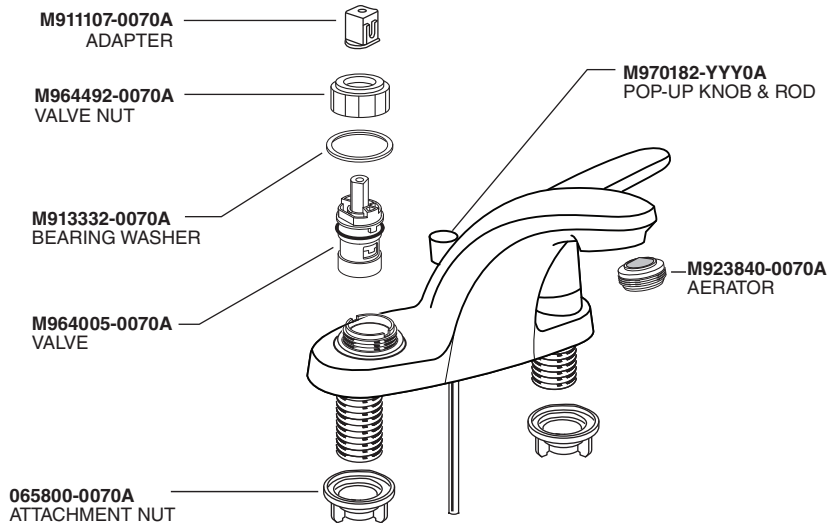
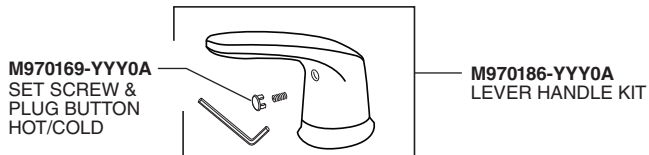


American Standard

COLONY® PRO CENTERSET LAVATORY FAUCET

MODEL NUMBERS

7075.200
7075.202
7075.205



Replace the "YYY" with appropriate finish code

POLISHED CHROME	002
LEGACY BRONZE	278
SATIN NICKEL	295

HOT LINE FOR HELP

For toll-free information and answers to your questions, call:

1 (800) 442-1902

Mon. - Fri. 8:00 a.m. to 8:00 p.m. EST

Saturday 10:00 a.m. to 4:00 p.m. EST

IN CANADA 1-800-387-0369

(TORONTO 1-905-306-1093)

Weekdays 8:00 a.m. to 7:00 p.m. EST

IN MEXICO 01-800-839-1200



PART OF LIXIL